



# Karu Solar Floodlight

## 50W

### Applications:

Residential and Commercial Applications.

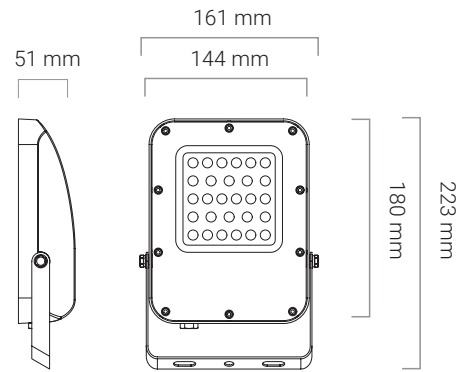
- Lithium LFP Battery powered LED Solar Flood available in wattages of 50W, 100W & 200W.
- Die-Cast Aluminium body serving as an effective heatsink whilst providing added protection to the housing.
- 8m range controller with multiple setting selections. Timer for 3/5/8hrs usage or an Automatic Mode which will allow for 12hrs usage.
- 4-bar battery level indicator allowing you to see how much charge your battery has stored. The batteries can also be changed out at a later stage if required.
- 2m Standard Installation Cable with an additional 3m available as an accessory, ensuring your floodlights installation can be in even the most complex places.
- 21% efficiency Monocrystalline solar panels and 1.0mm<sup>2</sup> thick cable allowing for a faster charge with a longer lifespan, even in cloudy days.
- Lock/Unlock battery setting to preserve the battery during shipping and throughout its shelf-life.

Product Performance	
<b>Wattage</b>	50W
<b>Colour Temperature &amp; Stock Code</b>	• 6000K - FS001
<b>Operating Temperature</b>	-25~45°C
<b>Life Span/ LB Rating</b>	-
<b>IP Rating</b>	IP67
<b>Beam Angle</b>	90°
<b>Impact Protection Grade</b>	IK06
<b>Input Voltage</b>	4.5-6.5V
<b>Surge Protection</b>	-
<b>CRI</b>	>70
<b>Lumen Output</b>	500 Lumens
<b>LED Chips</b>	2835
<b>LED Chips Qty</b>	28
<b>LED Chip Brand</b>	Sanan
<b>Dimmable</b>	Yes by Remote Control
<b>Dimmable Range (Dali/Trailing/Leading)</b>	-
<b>UGR</b>	-
Physical Characteristics	
<b>Weight (g)</b>	918
<b>Housing Material</b>	Aluminum
<b>Product Dimensions (mm)</b>	161*223*51mm
<b>Cable Length</b>	100cm
<b>Mounting Option</b>	-
<b>Bracket Material</b>	Iron
<b>Bolts and Screws</b>	Stainless steel

## Packaging



## Dimension Drawing



## Technical Parameters

<b>Input Current</b>	1.4A
<b>Output Voltage</b>	3V
<b>Flicker(Y/N)</b>	No Flicker
<b>Humidity</b>	0~35°C
<b>Frequency</b>	-
<b>In Rush Current</b>	-
<b>Output Current</b>	0.8A
<b>THD</b>	-
<b>TA &amp; TC</b>	90&85
<b>IES (Yes or No)</b>	No
<b>Regulatory Qualifications</b>	
<b>Class Rating</b>	Class III
<b>Energy Efficiency</b>	A
<b>Certification</b>	CE, EMC, MSDS, UN38.3
<b>Accessories</b>	
<b>Optional accessories</b>	FS010 - 3M 1.0mm <sup>2</sup> Cable FS010-2 - 3M 1.0mm <sup>2</sup> Cable Ba2401 FS013 - Lithium LFP Battery 6A/3.2V 32700 x 1 for 50W
<b>Packaging info</b>	
<b>Storage Temp</b>	20~+45°
<b>Carton Size (mm)</b>	50.5*35.5*25.5
<b>QTY/CTN</b>	16
<b>Net Weight</b>	14,7
<b>Gross Weight</b>	16,6



# Karu Solar Panel

7W

## Applications:

Residential and Commercial Applications.

- Lithium LFP Battery powered LED Solar Flood available in wattages of 50W, 100W & 200W.

- Die-Cast Aluminium body serving as an effective heatsink whilst providing added protection to the housing.

- 8m range controller with multiple setting selections. Timer for 3/5/8hrs usage or an Automatic Mode which will allow for 12hrs usage.

- 4-bar battery level indicator allowing you to see how much charge your battery has stored. The batteries can also be changed out at a later stage if required.

- 2m Standard Installation Cable with an additional 3m available as an accessory, ensuring your floodlights installation can be in even the most complex places.

- 21% efficiency Monocrystalline solar panels and 1.0mm<sup>2</sup> thick cable allowing for a faster charge with a longer lifespan, even in cloudy days.

- Lock/Unlock battery setting to preserve the battery during shipping and throughout its shelf-life.

## Product Performance

<b>Wattage</b>	7W (21% efficiency Monocrystalline solar panel)
<b>Stock Code Code</b>	FS001P
<b>Operating Temperature</b>	0~35°C
<b>IP Rating</b>	IP65
<b>CRI</b>	>70

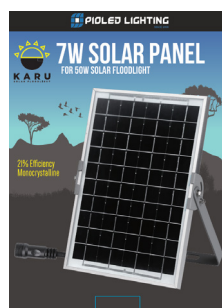
## Physical Characteristics

<b>Weight (g)</b>	690
<b>Product Dimensions (mm)</b>	180*270*16mm
<b>Bracket Material</b>	Iron
<b>Bolts and Screws</b>	Stainless steel
<b>Output Voltage</b>	6V
<b>Flicker(Y/N)</b>	No Flicker
<b>Humidity</b>	0~35°C
<b>Output Current</b>	1.4A
<b>TA &amp; TC</b>	90&85
<b>Energy Efficiency</b>	A

## Packaging info

<b>Storage Temp</b>	20~+45°
<b>Carton Size (mm)</b>	41.5*22.5*30
<b>QTY/CTN</b>	16
<b>Net Weight</b>	11,1
<b>Gross Weight</b>	12,8

## Packaging



## Dimension Drawing

