



Strada Street Light

60W



Applications:

Residential and Commercial Applications.

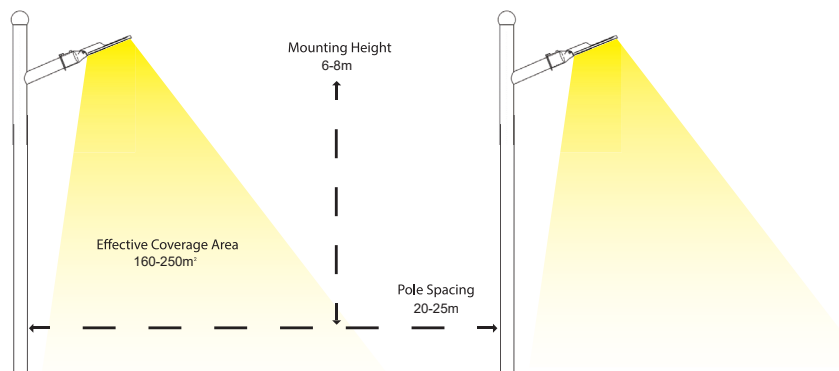
- Highly Durable LED Street Light constructed with a Die-Cast aluminium housing & PC Lens.
- Philips 3030 LED delivering an effective 150lm/W with a rated lifespan of L80B10 @ 50 000hrs.
- Type II-S beam angle preventing unnecessary backward light pollution.
- Wide input Voltage range 100V-277V with a 10kV (replaceable) built in surge protection allowing for maximum durability and robustness over the LED Luminaires lifespan.
- Wide operating temperature range of -25°~50°.
- Fits a standard D40-60mm Pole or D76-84 with our optional Pole Mount Adaptor HS016.
- IP66 rated luminaire with a CRI>83 for improved clarity & colour rendering.
- Nema Sensor ready LED Street light (60W/100W) for hassle free installation.
- Tool free maintenance with the Strada's gasket sealed power supply housing.

Product Performance

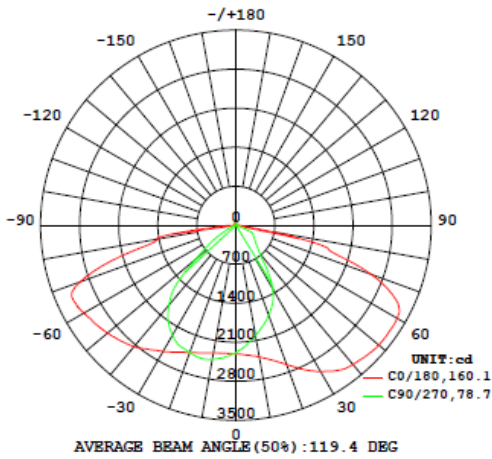
Wattage	60W
Colour Temperature & Stock Code	5700K - HS001 / 4000K - HS002
Operating Temperature	-25~50°C
Life Span/ LB Rating	L80B10@50000hr
IP Rating	IP66
LED Driver Brand	High Spec PiOLED Driver
Beam Angle	T2-S
Impact Protection Grade	IK08
Input Voltage	100-277V
Surge Protection	10kV (Replaceable)
Power Factor	0.95
CRI	>83
Lumen Output	10 200 (from batch 2406)
Lumen Efficiency	170lm/W (from batch 2406)
LED Chips	Philips 3030
LED Chips Qty	80
Dimmable	Non-Dimmable

Physical Characteristics

Weight (g)	2900
Housing Material	Pure Aluminium + PC Len
Product Dimensions (mm)	195*440*165
Mounting Option	Fits a standard D40-60mm Pole or D76-84
Bolts and Screws	316 Stainless steel



Luminous Intensity Distribution Diagram



Packaging

60W LED Strada Street Light

- High Lumen 3030 LED
- Contemporary Matt Black Finish
- Die Cast Aluminum Housing
- 10kV Surge Protection
- 9000LM- Type II-S
- L80B10 @ 50000hrs
- 5 Year Warranty

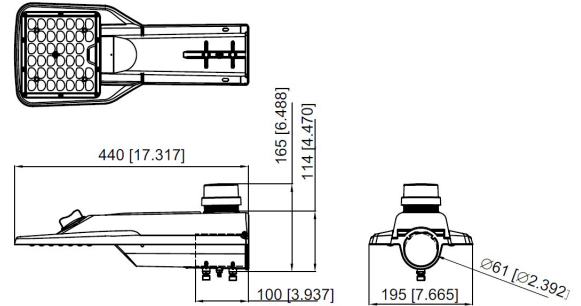
High Lumen
150LMW

60W

IP66

5 Year
Warranty

Dimension Drawing



Technical Parameters

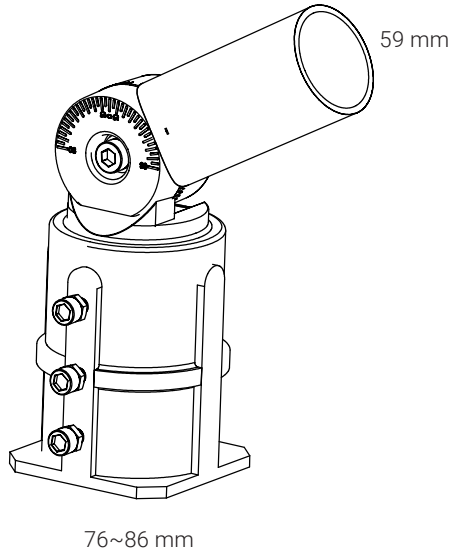
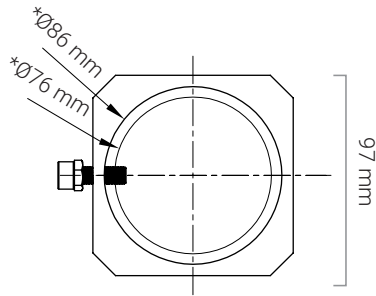
Input Current	0.67A
Output Voltage	46.4V
Humidity	10-98%
Frequency	50/60Hz
In Rush Current	45A
Output Current	1160mA
THD	≤20%
TA & TC	TA=60/TC=90
IES (Yes or No)	Yes
Regulatory Qualifications	
Class Rating	Class II
Energy Efficiency	88%
Certification	CE, EMC, IEC60598, ErP
Accessories	
Optional accessories	76-84mm Strada Adaptor- HS016 GLV 76mm Spigot- HS017
Packaging info	
Storage Temp	-20~+50°
Carton Size (mm)	500*235*190
QTY/CTN	1
Net Weight	2.9
Gross Weight	3.4



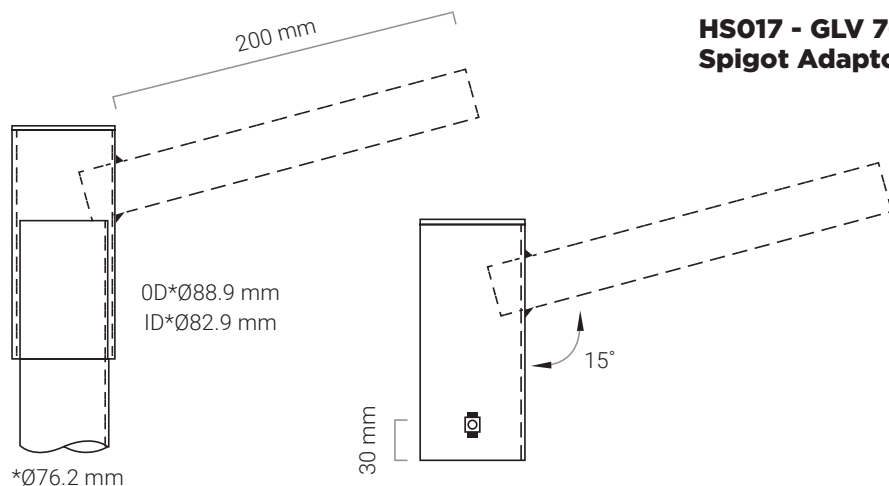
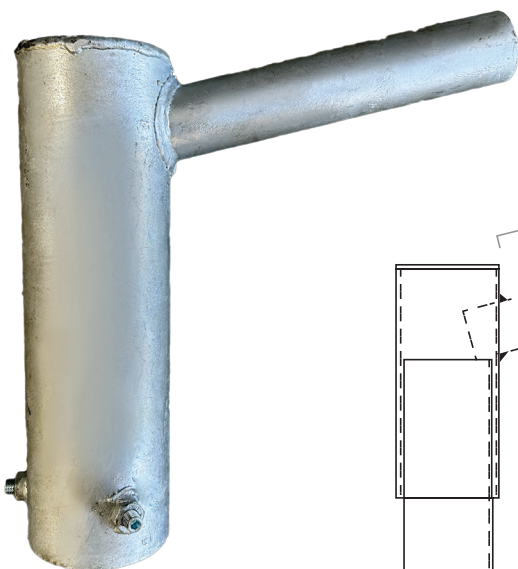
**PIOLED
LIGHTING**
SINCE 2008

Strada Accessories

**HS016 - Aluminium
Adaptor for Strada
76-84mm**



Physical Characteristics	
Weight (kg)	1,08
Housing Material	Die Cast Aluminium
Packaging info	
Carton Size (mm)	505*330*415
QTY/CTN	20
Net Weight	19.2
Gross Weight	20



**HS017 - GLV 76mm
Spigot Adaptor**