



# Karu Solar Floodlight

## 200W

### Applications:

Residential and Commercial Applications.

- Lithium LFP Battery powered LED Solar Flood available in wattages of 100W & 200W.
- Die-Cast Aluminium body serving as an effective heatsink whilst providing added protection to the housing.
- 8m range controller with multiple setting selections. Timer for 3/5/8hrs usage or an Automatic Mode which will allow for 12hrs usage.
- 4-bar battery level indicator allowing you to see how much charge your battery has stored. The batteries can also be changed out at a later stage if required.
- 2m Standard Installation Cable with an additional 3m available as an accessory, ensuring your floodlights installation can be in even the most complex places.
- 21% efficiency Monocrystalline solar panels and 1.0mm<sup>2</sup> thick cable allowing for a faster charge with a longer lifespan, even in cloudy days.
- Lock/Unlock battery setting to preserve the battery during shipping and throughout its shelf-life.

### Product Performance

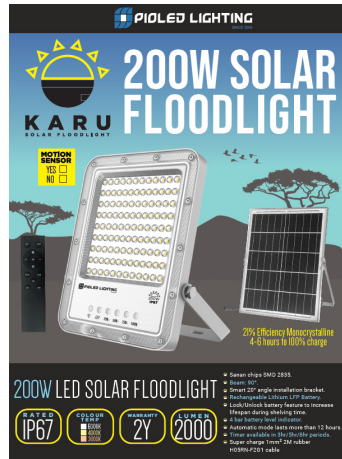
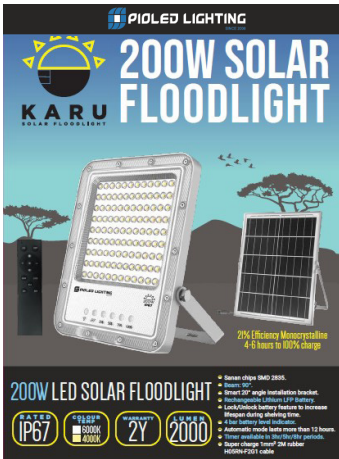
<b>Wattage</b>	200W
<b>Colour Temperature &amp; Stock Code</b>	• 6000K - <b>FS005</b> / 4000K - <b>FS006</b> • 6000K Motion Sensor - <b>FS005S</b> • 4000K Motion Sensor - <b>FS006S</b>
<b>Operating Temperature</b>	-25~45°C
<b>Life Span/ LB Rating</b>	-
<b>IP Rating</b>	IP67
<b>Beam Angle</b>	90°
<b>Impact Protection Grade</b>	IK06
<b>Input Voltage</b>	4.5-6.5V
<b>Surge Protection</b>	-
<b>CRI</b>	>70
<b>Lumen Output</b>	2 000 Lumens
<b>LED Chips</b>	2835
<b>LED Chips Qty</b>	112
<b>LED Chip Brand</b>	Sanan
<b>Dimmable</b>	Yes by Remote Control
<b>Dimmable Range</b>	-
<b>(Dali/Trailing/Leading)</b>	-
<b>UGR</b>	-

### Physical Characteristics

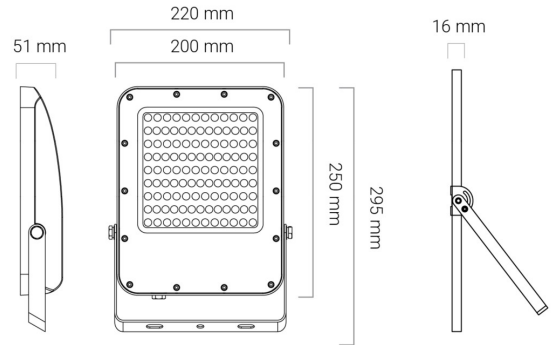
<b>Weight (g)</b>	1533
<b>Housing Material</b>	Aluminum
<b>Product Dimensions (mm)</b>	220*40*295mm
<b>Cable Length</b>	200cm
<b>Mounting Option</b>	-
<b>Bracket Material</b>	Iron
<b>Bolts and Screws</b>	Stainless steel

## Packaging

Motion Sensor Version



## Dimension Drawing



## Technical Parameters

<b>Input Current</b>	5A
<b>Output Voltage</b>	4.5-5V
<b>Flicker(Y/N)</b>	No Flicker
<b>Humidity</b>	0~35°C
<b>Frequency</b>	-
<b>In Rush Current</b>	-
<b>Output Current</b>	4.8A
<b>THD</b>	-
<b>TA &amp; TC</b>	90&85
<b>IES (Yes or No)</b>	No
<b>Regulatory Qualifications</b>	
<b>Class Rating</b>	Class III
<b>Energy Efficiency</b>	A
<b>Certification</b>	CE, EMC, MSDS, UN38.3
<b>Accessories</b>	
<b>Optional accessories</b>	FS010 -3M 1.0mm <sup>2</sup> Cable FS010-2 - 3M 1.0mm <sup>2</sup> Cable Ba2401 FS012 - Lithium LFP Battery 24A/3.2V 32700 x 4 for 200W
<b>Packaging info</b>	
<b>Storage Temp</b>	20~+45°
<b>Carton Size (mm)</b>	38.5*24.5*32
<b>QTY/CTN</b>	6
<b>Net Weight</b>	11.70
<b>Gross Weight</b>	12.88



# Karu Solar Panel

## 25W

### Applications:

Residential and Commercial Applications.

- Lithium LFP Battery powered LED Solar Flood available in wattages of 100W & 200W.

- Die-Cast Aluminium body serving as an effective heatsink whilst providing added protection to the housing.

- 8m range controller with multiple setting selections. Timer for 3/5/8hrs usage or an Automatic Mode which will allow for 12hrs usage.

- 4-bar battery level indicator allowing you to see how much charge your battery has stored. The batteries can also be changed out at a later stage if required.

- 2m Standard Installation Cable with an additional 3m available as an accessory, ensuring your floodlights installation can be in even the most complex places.

- 21% efficiency Monocrystalline solar panels and 1.0mm<sup>2</sup> thick cable allowing for a faster charge with a longer lifespan, even in cloudy days.

- Lock/Unlock battery setting to preserve the battery during shipping and throughout its shelf-life.

### Product Performance

<b>Wattage</b>	25W (21% efficiency Monocrystalline solar panel)
<b>Stock Code</b>	<b>FS005P</b>
<b>Operating Temperature</b>	0~35°C
<b>IP Rating</b>	IP65
<b>CRI</b>	>70

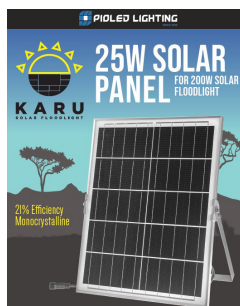
### Physical Characteristics

<b>Weight (g)</b>	1260
<b>Product Dimensions (mm)</b>	350*350*16mm
<b>Bracket Material</b>	Iron
<b>Bolts and Screws</b>	Stainless steel
<b>Output Voltage</b>	6V
<b>Flicker(Y/N)</b>	No Flicker
<b>Humidity</b>	0~35°C
<b>Output Current</b>	2.5A
<b>TA &amp; TC</b>	90&85
<b>Energy Efficiency</b>	A

### Packaging info

<b>Storage Temp</b>	20~+45°
<b>Carton Size (mm)</b>	38*27.5*32.5
<b>QTY/CTN</b>	10
<b>Net Weight</b>	10.47
<b>Gross Weight</b>	12.35

### Packaging



### Dimension Drawing

